



## Keypad Reader

### WAR-HAK-6HA

#### Quick Start Guide

##### (1) Introduction

Proximity Card & Keypad Reader from WatchNET sets the electronic security benchmark for 125 kHz proximity readers, card and tags that can be easily installed on the standard US Single gang wall box. With the addition of Keypad providing an additional layer of security enabling the readers to interface with a wide range of electronic access control systems by complying with the Wiegand communication protocol. These readers can be ordered to support several proximity card and tag technologies.



**WAR-HAK-6HA**

##### (2) Wiring

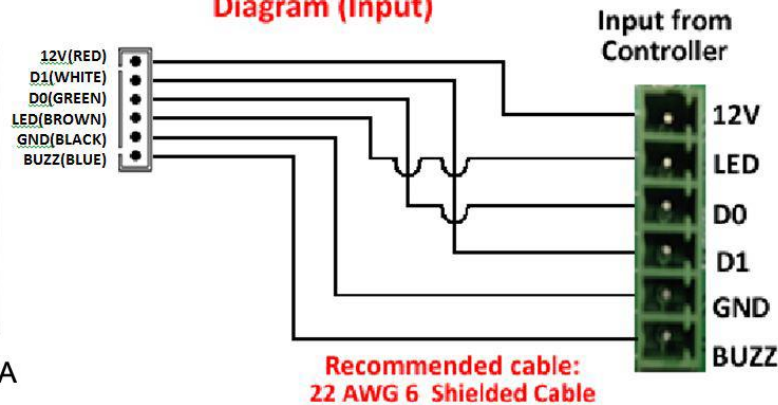
Color	Function	Panel Input
Red	5-12VDC	+12
Brown	Red LED	LED
Green	Data 0	D0
White	Data 1	D1
Black	Ground	GND
Blue	Buzzer	BUZ
Orange	Green LED	N/A
Violet	Flea Power	N/A
Yellow	Card Present	N/A

## READER



**WAR-HAK-6HA**

### Reader Wiring Diagram (Input)



**(3) Cable Requirements**

22 AWG 7 Strand Bare Copper; 3 Individual Twisted Pairs Overall Foil with TC Drain & PVC Jacket

**(4) Card Technology Supported**

HID Card Technology

**(5) Power**

Reader can be powered by the access panel.

**(6) Powering up Reader**

1. When Reader is powered up reader will beep 4 times and keypad reader will turn on
2. When presenting a card that is not registered on the system, reader will beep 1 time with a blinking green light
3. When presenting a card that is registered on the system, reader will beep 1-time and Red LED will change to Green for 5 seconds and will go back to red as standby.

**(7) Troubleshooting**

If the reader does not recognized a card or tag or does not turn on please refer to below table

Possible causes	Solutions
Incorrect cabling	Verify wiring, see (2) for proper wiring
Reader did not beep when card is presented	Verify if card technology is supported
Reader beeps continuously when invalid card is presented	Make sure Brown wire is connected to LED terminal block and not blue

**Note: if any solutions above did not work please contact WatchNET Access Technical Support phone number +1-866-843-6865 or visit our website @ [www.watchnetaccess.com](http://www.watchnetaccess.com)**



*All Logos & trade marks represent the registered users only. All rights reserved.  
All product specifications on this brochure are subject to change without notice.*



**Canada:**

351 Ferrier Street Unit 5  
Markham, Ontario L3R 5Z2  
Tel: 416-410-6865  
Toll Free: 1-866-843-6865  
Fax: 1-866-331-3341

**USA:**

171 Cooper Ave. Suite 110  
Tonawanda, NY 14150 USA  
1-716-877-7277  
Toll Free: 1-855-404-3193  
Fax: 1-866-331-3341

**UAE:**

PO Box No 126312  
Office Suite 703  
Oxford Towers  
Business Bay, Dubai, UAE  
Tel: + 971 4 2767117

**India:**

RZ- 2, Ground Floor  
Kapashera  
Opp Kapashera Police Station  
New Delhi-110037  
Tel/Fax: +91 11 26816005

[www.watchnetaccess.com](http://www.watchnetaccess.com)  
[info@watchnetaccess.com](mailto:info@watchnetaccess.com)