

Single door controller with reader



WAC-1D2V-MPX

DESCRIPTION:

WAC-1D2V-MPX is a new generation product of high value which has an integrated keypad, text display, single door control and T&A.

FEATURES:

- Multi-Technology Card Reader
- P: 125KHz – LF, RF, EM, TK, HID Prox., AWID and others
- U: 13.56MHz – HF, Mifare, DesFire, NFC, PKI Encrypted, CPU, FIPS-201*
- Wiegand In: Wiegand Reader, 4-6 Wire
- Out-Reader
- Reader & Controller combined
- Setting by Keypad, and from WatchNET Software
- Seamless Operation and recovery for On-Line and Off-Line modes
- On-Line: connected to WatchNET Software
- Off-Line: Stand-Alone, not connected to server



Multi-Technology Card Reader



Wiegand In: Wiegand Reader, 4-6 Wire Out-Reader



Reader & Controller combined
- Setting by Keypad, and from WatchNET ACS software also



Seamless Operation & Recovery for On-Line & Off-Line modes
- On-Line: connected to WatchNET ACS Software
- OffLine: Stand-Alone, not connected to server



Single "Gang" size-USA Standard



Metallic Housing Vandal Resistant



Silver or Rose Gold Housing



POE Power Over Ethernet



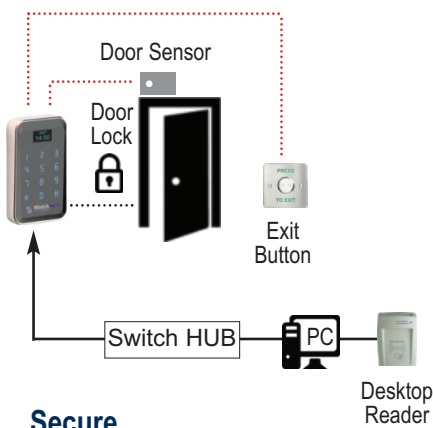
Large Bright Indicator — Blue / Green light

SPECIFICATIONS:

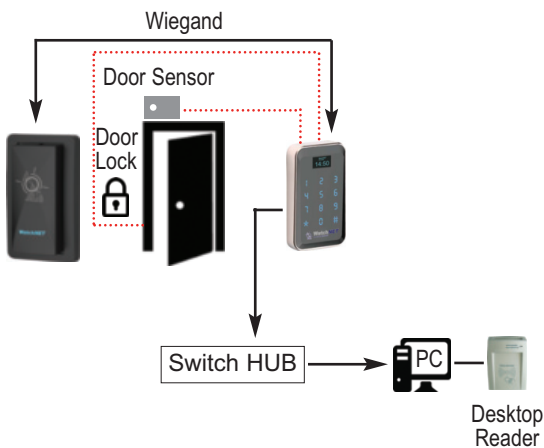
Model	P	U
Frequency	125KHZ	13.56MHZ
Technology	LF, TK, EM, AWID, HID Prox. and more	HF, Mifare, Desfire PKI Encrypted, NFC, CPU, FIPS-2
Encryption	Manchester	3Des
Read Range	~4'	~2'
Capacity	10,000 users, 100,000 FIFO Events	
Input	Door Sensor, Exit Button	
Output	Door Relay, 2A	
Power	7 - 15 Vdc	
Current - No display	≤ 100mA	≤ 120mA
Temperature	-20°C to 65°C (-4°F to 150°F)	
Humidity	95% RH	
Dimension	2.75" x 4.75" x 1.125"	

System Configurations

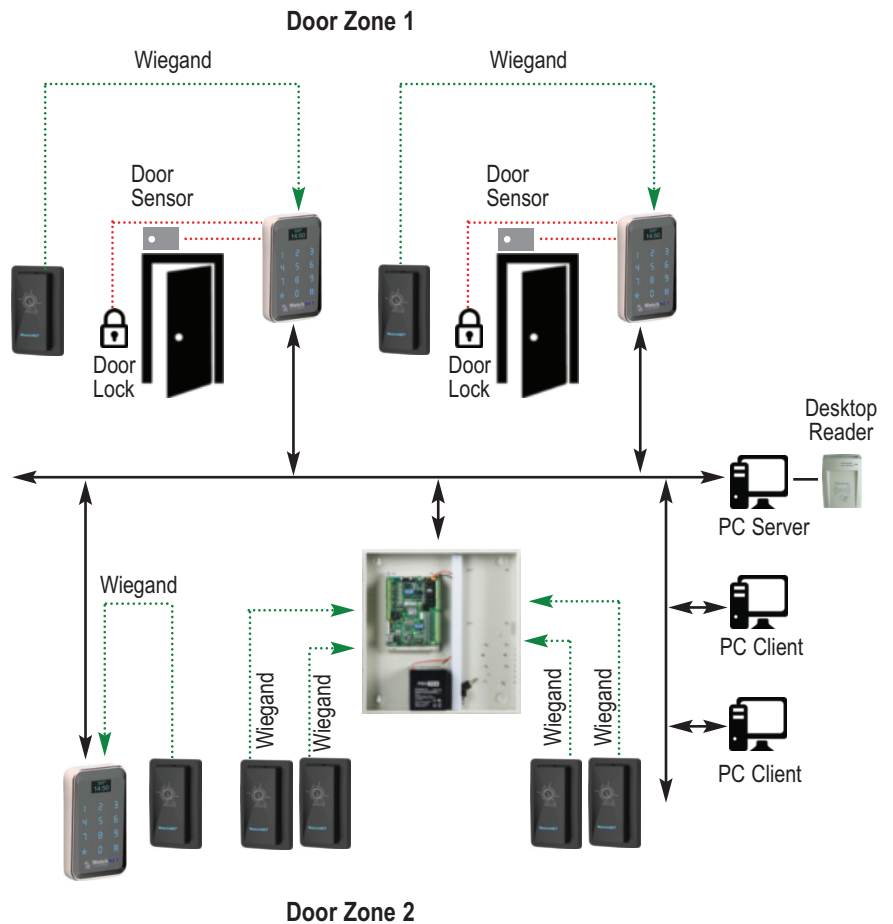
Standalone



Secure



Network



All logos & trade marks represent the registered users only. All rights reserved. All product specifications on this brochure are subject to change without notice.

CANADA:
351 Ferrier Street, Unit 5
Markham, ON L3R 5Z2
Toll Free: 1-866-843-6865
Tel: 416-410-6865

USA:
171 Cooper Ave. Suite 110
Tonawanda, NY 14150 USA
Toll Free: 1-866-843-6865
Local: 1-716-877-7277

UAE:
P O Box 126312
No 703, Oxford Towers
Business Bay, Dubai, UAE
Tel: +971 4 2767117

Division of WatchNET Inc.
WatchNET[®]
Security Since 2000

Rev. June 14, 2021

info@watchnetaccess.com
www.watchnetaccess.com