

Installation Guide

Access Server/PC Minimum Requirements:

Processor: Intel i5, equivalent or higher

RAM: 8GB or higher

Hard Disk Space: 500GB free space or more

Operating System: Windows Server 2008 or higher, Windows 7, 10 or 11 (MAC OS NOT SUPPORTED)

Access Control Kit Parts Included:

- Access Control PCB
- Backup Battery Cable (Battery not included)
- Pair of 485 Cable for Controller
- Wiegand Readers (WAR-EHO-MPX)
- Proximity Card (WAC-SIT-ISO)
- Cabinet lock keys (2 set)

Cable Requirements: (Not Included)

Wiegand Reader – 22 AWG 7; 3 individual twisted pairs or equivalent

OSD Reader – 4 Conductor twisted pair over-all shield or equivalent

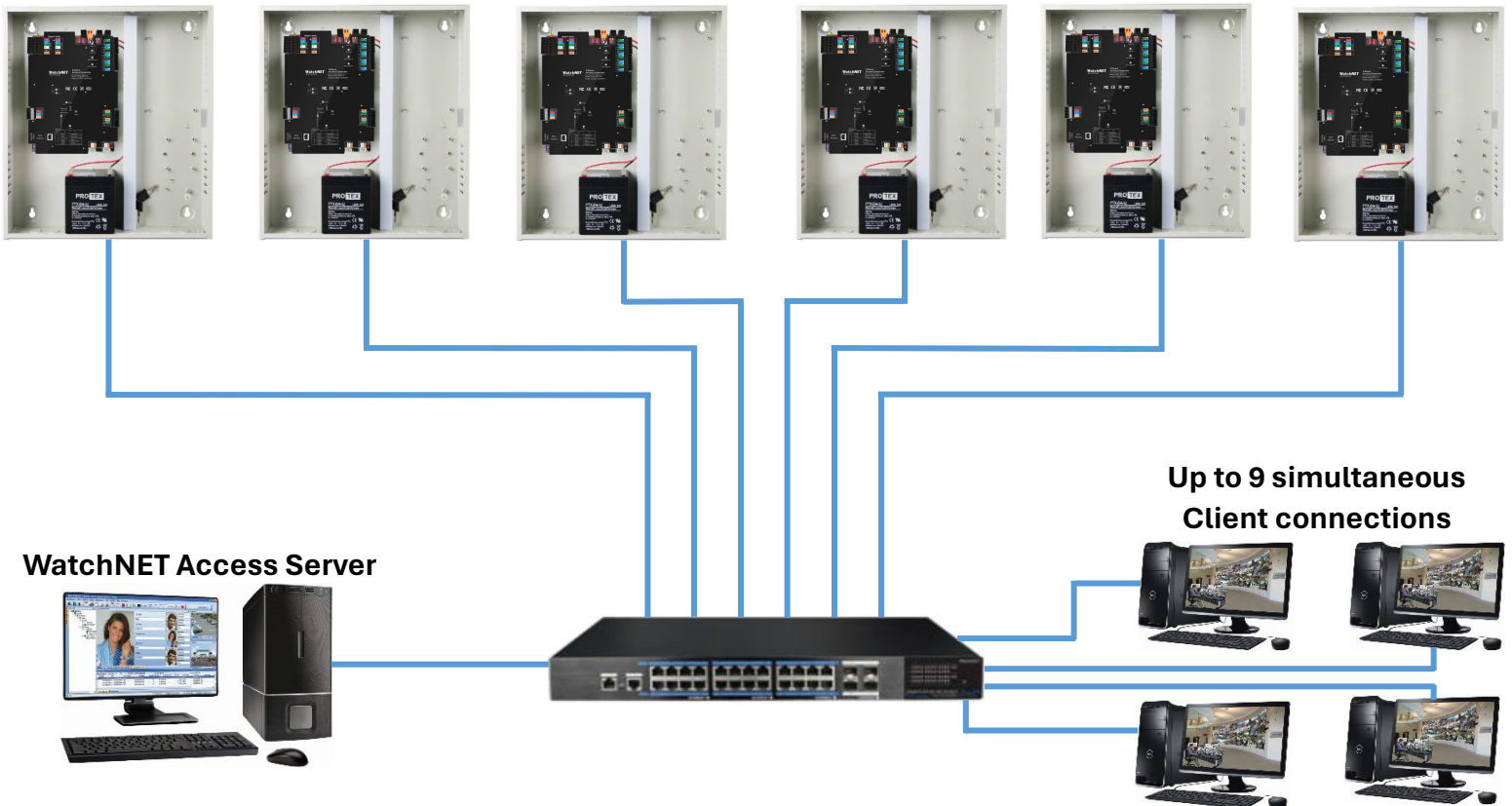
Lock Power – 18 AWG 2 Conductor shielded

Door Contact/Sensor – 22 AWG 2 Conductor

REX (Request to Exit) – 22 AW 4 Conductor

Overview

Up to 200 Controller connections

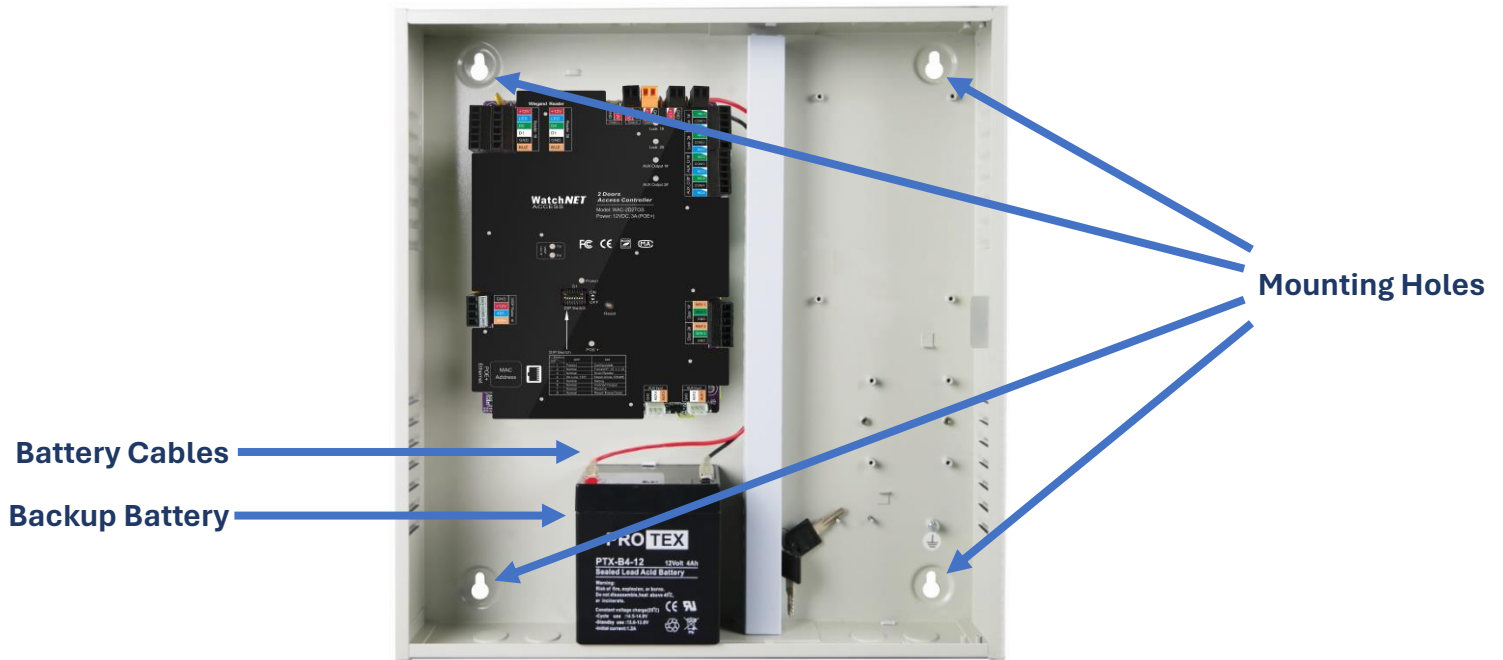


WatchNET Access Server

1. Mounting the Cabinet:

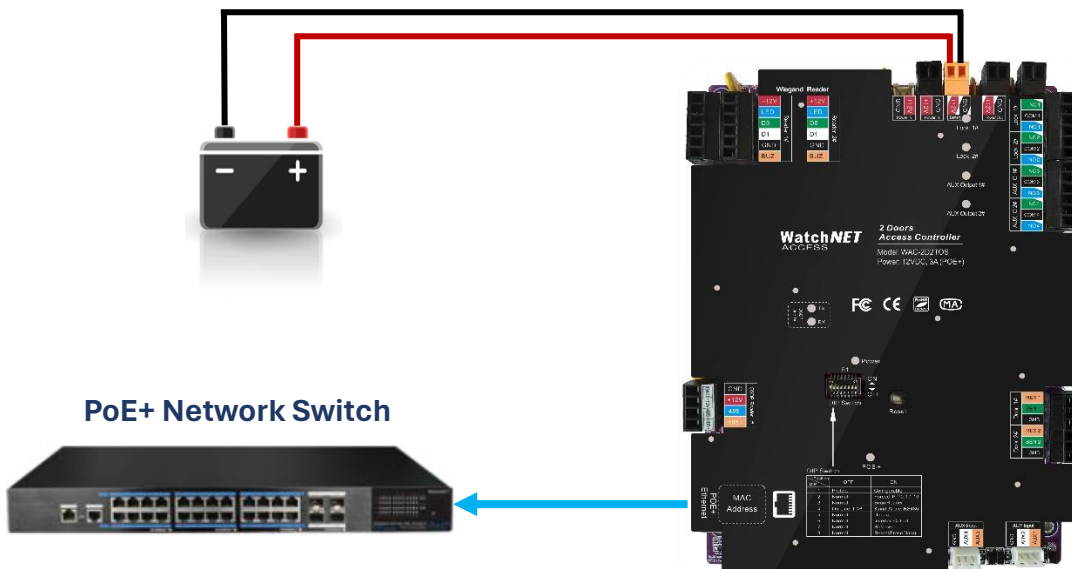
- Make sure to mount the cabinet on a secure area.
- Mount the cabinet with the proper screws.

Note: Installer must provide their own screws depending on the site's requirements.



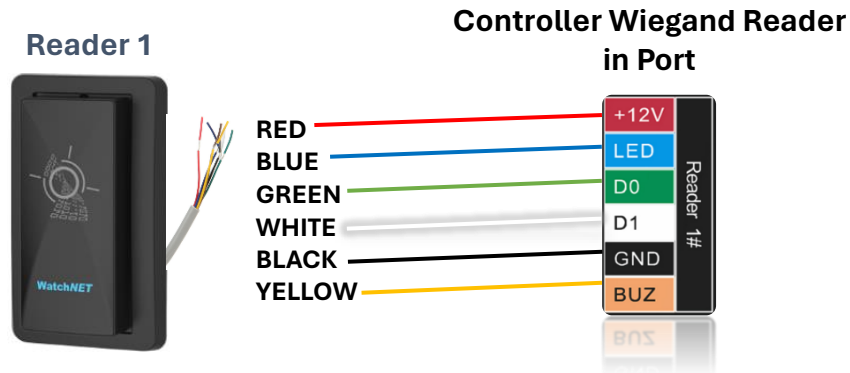
2. Connecting the Controller:

- Connect the Controller to a POE+ network switch for power and network connection.
- Connect the Backup Battery to the battery cables.
- Once it's powered and connected you can use the WatchNET Access software to search and add the controller, refer to the software manual for more information.



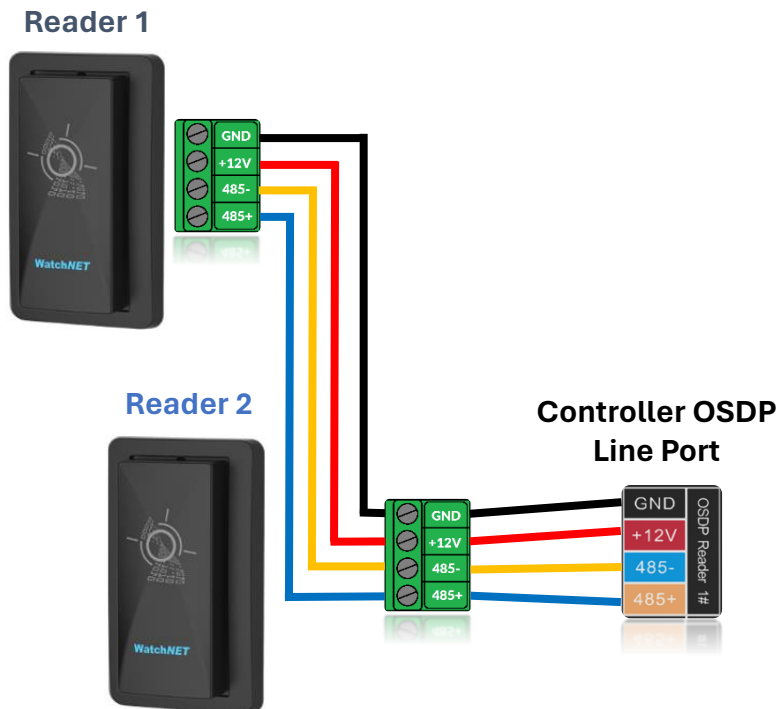
3. Reader Connection:

- Wiegand Reader Connection



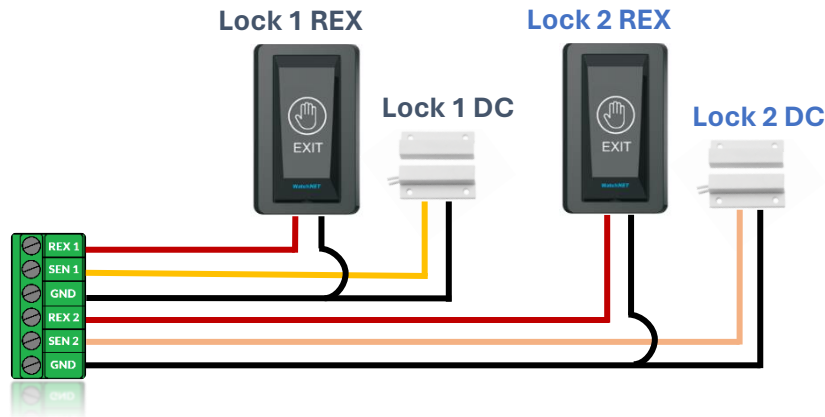
- OSDP Reader Connection

- You can daisy chain up to 2 readers and connect it to the controller for longer distance up to 1200m
- Each reader must be connected to corresponding OSDP Line port, see table on the access cabinet door.
- For longer distance, separate power must be used, see readers specs for more information.



4. Input Connections:

- Inputs are used to connect Door Sensor/Contacts, Request to Exit (REX) and Aux inputs.
- Door sensor can be configured as normally open or normally closed in the access control software.
- REX and Door Sensor share the GND wires.

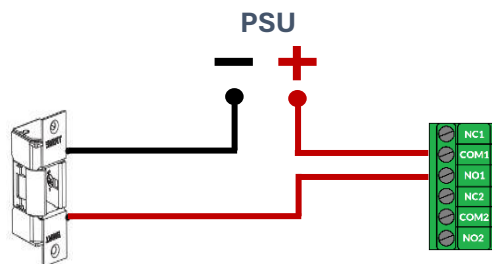


5. Lock/Relay Connections:

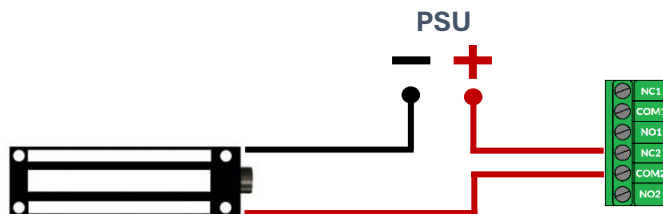
- WatchNET Controller supports Normally Open or Normally Closed relay to connect a Door strike or Magnetic lock.
- Most common installation uses Door strike with Normally Open relay connection
- If using Magnetic lock, make sure to check with local building codes for requirements and proper installations.

Note: For 4 and 8 Door Controllers, it's always recommended to use a separate PSU (Power Supply unit) to power the locks.

• Door Strike with Normally Open Connection



• Magnetic lock with Normally Closed Connection



LED Status

LED	STATUS	DESCRIPTION
Power	Orange light blinking	Controller is ON and normally operating
PoE+	Stable red light	Controller is powered using PoE+
OSDP 1-4 TX/RX	Rapidly blinking	OSDP reader is communicating to the controller
OSDP 1-4 TX/RX	Rapidly blinking with flashing yellow & green	OSDP reader is sending data to the controller
Lock 1-8	ON	Lock relay is open or triggered
AUX 1-4	ON	Aux Output is open or triggered
TCP/IP Port	Yellow light flashing & green light stable	Communicating normally to the network