



Long Range Identification Receiver



Quick Start Guide

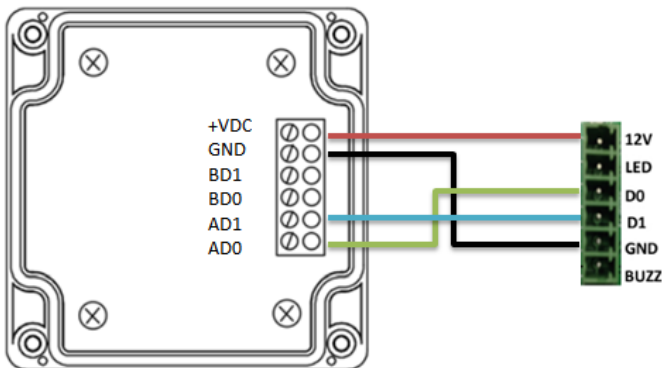
(1) Introduction

The Receiver was designed to output Wiegand data and install similar to standard proximity readers making for easy integration with most access control systems. WAC Transmitters are available in either a two or four-button configuration and are equipped standard with a potted proximity or contactless smartcard module. This allows the Transmitter to also be used as a presentation-style access credential. For example, a button may be pressed to access a long range application such as a gated parking structure, and then the Transmitter may be presented to an access control reader to allow entry to the building.

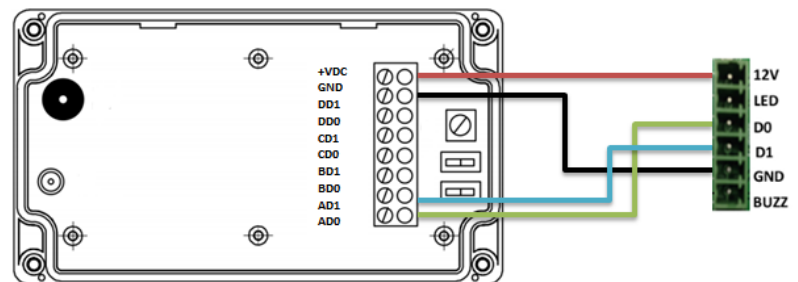
WAR-HAM-SRW WAR-HAM-LRW

(1) Wiring

| WAR-HAM-SRW | Reader Function | Panel Input | WAR-HAM-LRW | Reader Function | Panel Input |
|-------------|-----------------|-------------|-------------|-----------------|-------------|
| | AD0 | D0 Reader 1 | | AD0 | D0 Reader 1 |
| AD1 | D1 Reader 1 | AD1 | D1 Reader 1 | | |
| BD0 | D0 Reader 2 | BD0 | D0 Reader 2 | | |
| BD1 | D1 Reader 2 | BD1 | D1 Reader 2 | | |
| GND | GND | GND | CD0 | D0 Reader 3 | |
| +VDC | 12VDC | +VDC | CD1 | D1 Reader 3 | |
| | | | DD0 | D0 Reader 4 | |
| | | | DD1 | D1 Reader 4 | |
| | | | GND | GND | |
| | | | +VDC | 12VDC | |



WAR-HAM-SRW



WAR-HAM-LRW

(2) Cable Requirements

24 AWG min, multi-conductor stranded with an overall foil shield

(3) Wiegand Outputs

Wiegand (industry standard 26-bit Wiegand and custom Wiegand formats)

(4) Card Technology Supported

Long Range Identification Transmitters (WAC-HIT-WT2/4)

(5) Power

Reader can be powered by the access panel.

(6) Powering up Reader

1. When Reader is powered up reader will beep 4 times and stable orange light will turn on
2. Press button on transmitter to see the card event and to register the remote into the server

(7) Troubleshooting

If the long range reader does not recognized on does not display the card event

| Possible causes | Solutions |
|--|--|
| Incorrect cabling | Verify wiring, see (2) for proper wiring |
| Reader did not beep remote button is pressed | Verify if transmitter technology is supported |
| Reader did not show any card events when pressing button 1 and 2 | Make sure the reader is programmed into buttons 1/2, see manual for more details |

Note: if any solutions above did not work please contact WatchNET Access Technical Support phone number +1-866-843-6865 or visit our website @ www.watchnetaccess.com



*All Logos & trade marks represent the registered users only. All rights reserved.
All product specifications on this brochure are subject to change without notice.*



Canada:

351 Ferrier Street Unit 5
Markham, Ontario L3R 5Z2
Tel: 416-410-6865
Toll Free: 1-866-843-6865
Fax: 1-866-331-3341

USA:

171 Cooper Ave. Suite 110
Tonawanda, NY 14150 USA
1-716-877-7277
Toll Free: 1-855-404-3193
Fax: 1-866-331-3341

UAE:

PO Box No 126312
Office Suite 703
Oxford Towers
Business Bay, Dubai, UAE
Tel: + 971 4 2767117

India:

RZ- 2, Ground Floor
Kapashera
Opp Kapashera Police Station
New Delhi-110037
Tel/Fax: +91 11 26816005