



Multi Technology Proximity Reader

WAR-EHO-MPX

Quick Start Guide

(1) Introduction

First in its class Proximity Card reader from WatchNET sets the electronic security benchmark for 125 kHz proximity readers, card and tags. These readers can be ordered to support several proximity card and tag technologies.

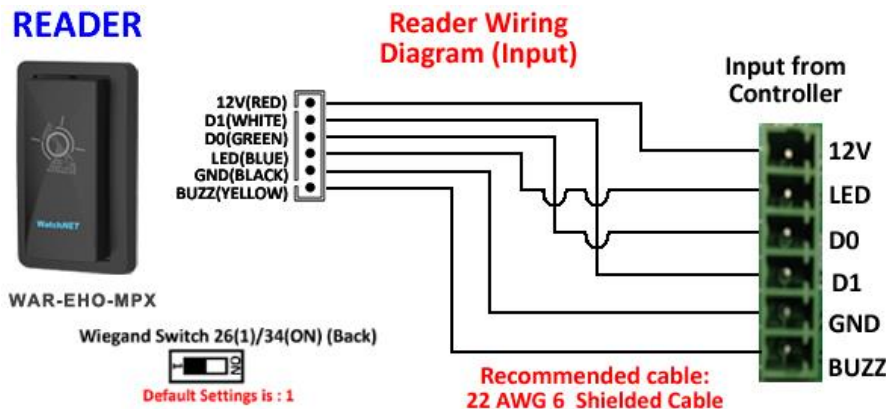
This triple Technology Proximity Card Reader from WatchNET can read access cards with multiple frequencies and also can be installed using a single or double gang wall box. These readers are compatible with other electronic access control systems by complying with the Wiegand 26-72 bit communication protocol.



WAR-EHO-MPX

(2) Wiring

Color	Function	Panel Input
Red	7-12VDC	+12
Blue	Blue LED	LED
Green	Data 0	D0
White	Data 1	D1
Black	Ground	GND
Yellow	Buzzer	BUZ



(3) Cable Requirements

22 AWG 7 Strand Bare Copper; 3 Individual Twisted Pairs Overall Foil with TC Drain & PVC Jacket

(4) Wiegand Outputs

Supports 26 and 34 Wiegand bit format

(5) Card Technology Supported

Certain HID® 125-kHz and AWID® 125-kHz Proximity protocols plus EM 125kHz Proximity WatchNET private protocol - W26/27/34/35/37.

AWID is a registered trademark of Applied Wireless Identifications Group. HID, the HID logo, ProxCard II, ISOProx, and ProxKey are registered trademarks of HID Global Corporation, an ASSA ABLOY company. All other trademarks are the property of their respective owners.

(6) Power

12VDC. Reader can be powered by the access panel.

(7) Powering up Reader

1. When Reader is powered up reader will beep 1-time and blue LED will turn on.
2. When presenting a card that is not registered on the system, reader will beep 3-times with a blinking LED of color Green.
3. When presenting a card that is registered on the system, reader will beep 1-time and Blue LED will change to Green for 5 seconds and will go back to blue as standby.

(8) Troubleshooting

If the reader does not recognized a card or tag or does not turn on please refer to below table

Possible causes	Solutions
No Light. Or no Response from reader	Verify wiring, see (2) for proper wiring
Reader did not beep when card is presented	Verify if card technology is supported
Reader beeps but no card events showing	Verify wiegand format of the card from 24-72 bit format
Card number did not match the card's number printed from the card events	Make sure the blue switch at the back is on "1" position for wiegand 26 bit

Note: if any solutions above did not work please contact WatchNET Access Technical Support phone number +1-866-843-6865 or visit our website @ www.watchnetaccess.com

*All Logos & trade marks represent the registered users only. All rights reserved.
All product specifications on this brochure are subject to change without notice.*



Canada:

351 Ferrier Street Unit 5
Markham, Ontario L3R 5Z2
Tel: 416-410-6865
Toll Free: 1-866-843-6865
Fax: 1-866-331-3341

USA:

171 Cooper Ave. Suite 110
Tonawanda, NY 14150 USA
1-716-877-7277
Toll Free: 1-855-404-3193
Fax: 1-866-331-3341

UAE:

PO Box No 126312
Office Suite 703
Oxford Towers
Business Bay, Dubai, UAE
Tel: + 971 4 2767117

India:

RZ- 2, Ground Floor
Kapashera
Opp Kapashera Police Station
New Delhi-110037
Tel/Fax: +91 11 26816005