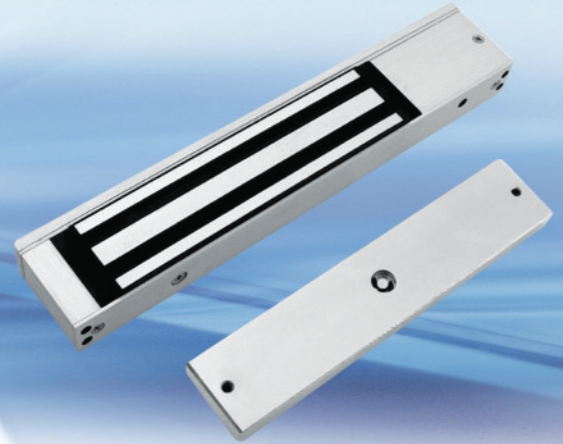


**WAA EML 300
WAA EML 600
WAA EML 600D
Brackets for EM Locks**



**WAA EML 300
Single Door Magnetic Lock (300 Lbs.)**

The WatchNET 300 series electromagnetic locks are renowned with its excellent holding force and the remarkable features. These units are manufactured under the highest quality control to achieve the commitment to customer who always satisfied with maximum quality and reliability. Also available are L, Z and U shaped brackets to suit various door type installations. Operates at low voltage at low current consumption rate.

- Voltage Input: 12 VDC / 24 VDC
- Current Draw: 12V / 300mA; 24V / 150mA (±5%)
- Holding Force: Up to 300 lbs. (136 kg)
- Anti-Rust Surface Treatment: Blue Zinc Plating
- Operating Temperature: 0~55° C (32~131° F)
- Operating Humidity: 0~95% (non-condensing)
- Weight (Magnet): 0.6 kg (±1%)
- Dimensions: Magnet - (L) 170x (W) 35x (T) 21 mm
Armature - (L) 130x (W) 33x (T) 11 mm

Magnetic Locks



**WAA EML 600
Single Door Magnetic Lock (600Lbs.)**

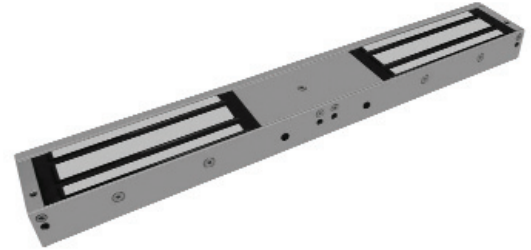
The WatchNET 600 series electromagnetic locks are renowned with its excellent holding force and the remarkable features. These units are manufactured under the highest quality control to achieve the commitment to customer who always satisfied with maximum quality and reliability. Also available are L, Z and U shaped brackets to suit various door type installations. Operates at low voltage at low current consumption rate.

- Voltage Input: 12 VDC / 24 VDC
- Current Draw: 12V / 480mA; 24V / 240mA (±5%)
- Holding Force: Up to 600 lbs. (272 kg)
- Anti-Rust Surface Treatment: Blue Zinc Plating
- Operating Temperature: 0~55° C (32~131° F)
- Operating Humidity: 0~95% (non-condensing)
- Weight (Magnet): 1.08 kg (±1%)
- Dimensions: Magnet - (L) 250x (W) 42x (T) 25 mm
Armature - (L) 180x (W) 38x (T) 11 mm



WAA EML 600D
Double Door Magnetic Lock (600 Lbs.)

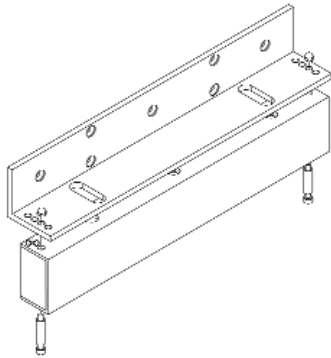
The WatchNET 600D series electromagnetic locks for Double Doors are renowned with its excellent holding force and the remarkable features. These units are manufactured under the highest quality control to achieve the commitment to customer who always satisfied with maximum quality and reliability. Also available are L, Z and U shaped brackets to suit various door type installations. Operates at low voltage at low current consumption rate. Green/Red LED provides locked/released status.



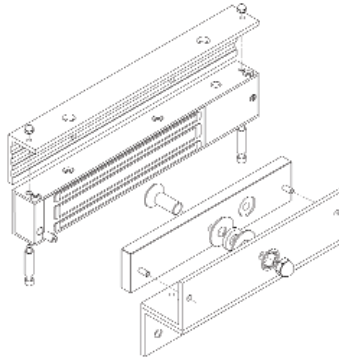
- Voltage Input: 12 VDC / 24 VDC (per magnet)
- Current Draw: 12V / 500 mA; 24V / 250mA (±5%)
- Holding Force: Up to 600 lbs. x2 (272 kg x2)
- Anti-Rust Surface Treatment: Blue Zinc Plating
- Operating Temperature: 0~55° C (32~131° F)
- Operating Humidity: 0~95% (non-condensing)
- Weight (Magnet): 2.2 kg (±1%)
- Dimensions: Magnet - (L) 500 x (W) 42 x (T) 25 mm
 Armature - (L) 180x (W) 38x (T) 11 mm

Brackets for EM Locks

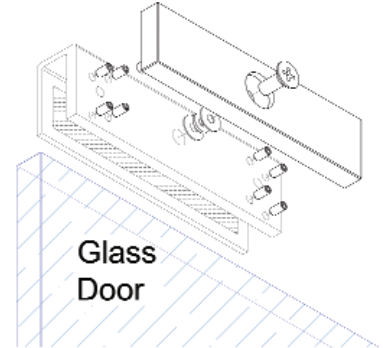
LS/ZL and EU Brackets are available to meet various types of door installations.



WAA-LSB-300
WAA-LSB-600



WAA-ZLB-300
WAA-ZLB-600



WAA-EUB-300 - (For 300 Series)
WAA-EUB-600 - (For 600 Series)

*All logos & trade marks represent the registered users only. All rights reserved.
 All product specifications on this brochure are subject to change without notice.*

CANADA:
 351 Ferrier Street, Unit 5
 Markham, ON L3R 5Z2
 Toll Free: 1-866-843-6865
 Tel: 416-410-6865
 Fax: 1-866-331-3341

USA:
 700 Ensminger Rd. Suite 104
 Tonawanda, NY 14150 USA
 Toll Free: 1-855-404-3193
 Local: 1-716-877-7277
 Fax: 1-866-331-3341

info@watchnetaccess.com
www.watchnetaccess.com

INDIA:
 C-48, DDA Shed, Ground Floor
 Okhla Industrial Area, Phase I
 New Delhi-110020
 Tell: +91 11 26816005
 Fax: +91 11 26816005

UAE:
 P O Box No 126312
 Dubai, UAE
 Tel: + 971 4 3584458
 Fax: + 971 4 3584458
 Mobile: + 971 50 5869290